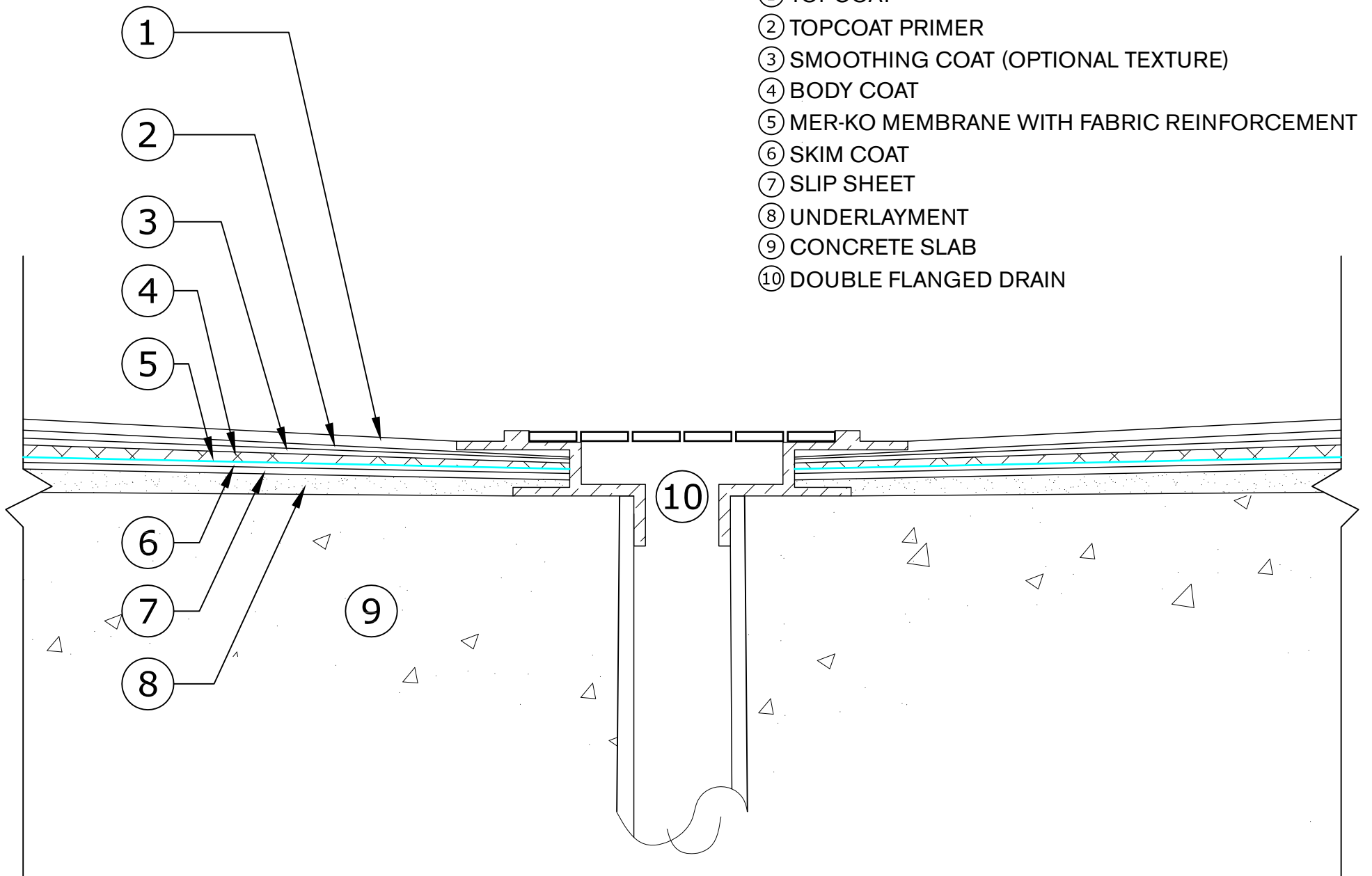


- ① TOPCOAT
- ② TOPCOAT PRIMER
- ③ SMOOTHING COAT (OPTIONAL TEXTURE)
- ④ BODY COAT
- ⑤ MER-KO MEMBRANE WITH FABRIC REINFORCEMENT
- ⑥ SKIM COAT
- ⑦ SLIP SHEET
- ⑧ UNDERLAYMENT
- ⑨ CONCRETE SLAB
- ⑩ DOUBLE FLANGED DRAIN



WEATHER DECK WITH DOUBLE FLANGE

DIVISION 07 18 13
Pedestrian Traffic Coatings

SCALE : NTS

MER-KO[®]
by westcoat

4007 Lockridge Street • San Diego, CA • 92102 • 800.537.7203 • mer-ko.com

